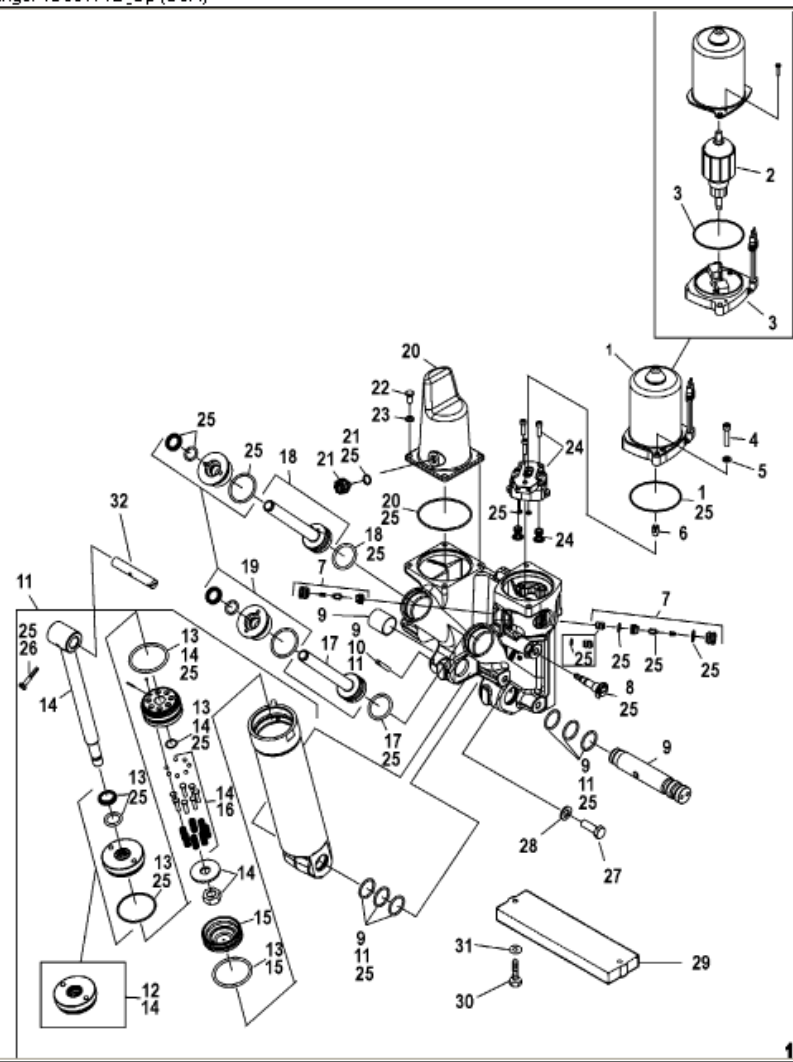


Parts List						
Ref	Class	Part	Description	Qty	Comment	Footnote
-		855998A07	POWER TRIM ASSEMBLY, Compl	1		
1		878265A 4	TRIM MOTOR	1		
2		NSS	NOT SOLD SEPARATE, Armat	1		
3		NSS	NOT SOLD SEPARATE, End F	1		
4	10	824948 30	SCREW, (M6 x 30)	2		
5	13	40025 6	LOCKWASHER, (M6)	2		
6		878245 1	DRIVESHAFT	1		
7		878410A 1	PO CHECK KIT	1		
8		813442A 2	MANUAL RELEASE ASSEMBLY	1		
9		878241A02	SHAFT KIT	1		
10	17	878267	PIN	1		
11		898479A02	TILT CYLINDER ASSEMBLY	1		
12		878239A 1	GUIDE KIT (Includes Referenc	1		
13		878409A 1	O-RING KIT (Includes Referenc	1		
14		878412A 1	SHOCK ROD KIT (Includes Rel	1		
15		878242A 1	MEMORY PISTON	1		
16		878406A 1	CHECK VALVE REPAIR KIT (lr	1		
17		878414A 1	PISTON/ROD ASSEMBLY	1		
18		878413A 1	PISTON/ROD ASSEMBLY	1		
19		878243A 1	GUIDE ASSEMBLY	2		
20		878264A 1	RESERVOIR KIT	1		
21	19	811613	PLUG ASSEMBLY	1		
22	10	40003 27	SCREW, (M6 x 14)	4		
23	12	43450	WASHER	4		
24		892251A01	PUMP KIT	1		
25		878408A 1	POWER TRIM REPAIR KIT	1		
26	17	821539	PIN, Trilobe	1		
27	10	858771	SCREW, (M10 x 30)	6		
28	12	40023 19	WASHER	6		
29		818298Q 1	ANODE KIT	1		
30	10	40003 30	SCREW, (M6 x 25)	2		
31	12	29245	WASHER, (.281 x .500 x .060)	2		
32		99625003	SHAFT, Upper Tilt	1		



12580